

# Eazy Operation Guide

Start here

## STEP1 Capture Image via Eyepiece Tube



Remove Eyepiece Lens and Insert iNTER-LENS

\* Use  $\phi 30\text{mm}$  super sleeve for  $\phi 30\text{mm}$  eyepiece tube



Attach iPhone (with attaching case) to iNTER-LENS



Capture image with Regular Camera App

*Magical Touch-less Shutter !*

Tapping on screen will make image blurred...



## STEP2 Let's use iNTER-SHOT App !



Search iNTER-SHOT in the App Store



Open App and Input 7220

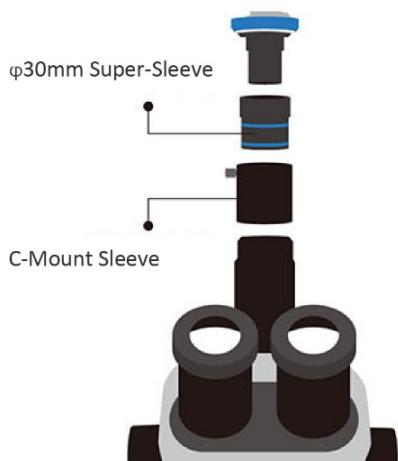


Slowly hold the hand for Touch-Less Shutter

Clear image with no blur with iNTER-SHOT !



### STEP3 Connecting to C-Mount & JIS Phototube

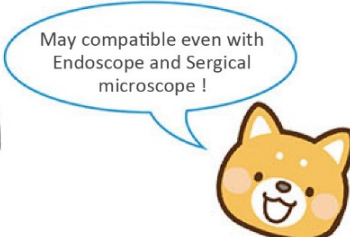


<C-Mount>  
Use 30mm Super-Sleeve  
and C-Mount Sleeve  
Together



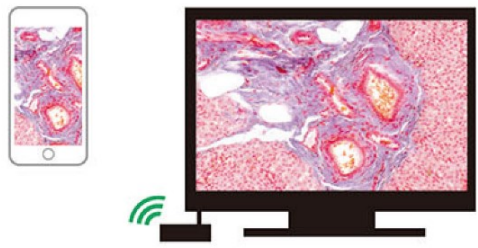
<JIS Phototube>  
Remove 30mm Sleeve  
to install directly to  
JIS Phototube ( $\phi 23.2\text{mm}$ )

\* Use C-Mount adapter with no lens inside  
(= 1.0x / Direct C-mount)



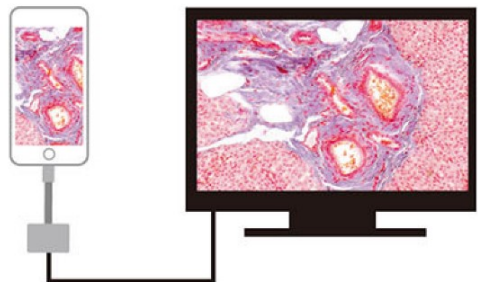
### STEP4 Connecting to TV/PC Monitor

<via Wi-Fi>



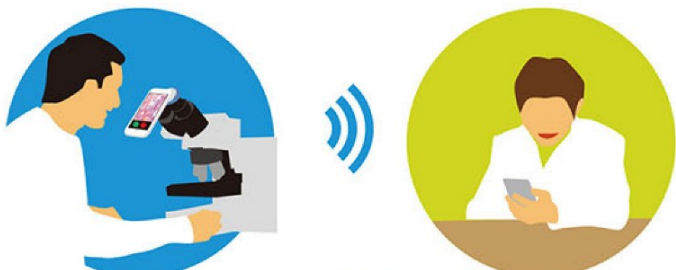
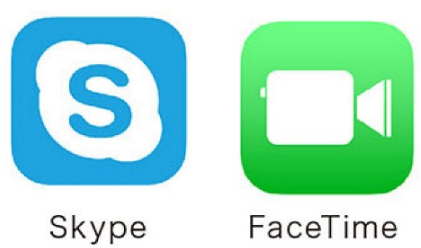
Wireless Connection with  
Apple TV

<via Cable>



Cable Connection with  
HDMI adapter

### STEP5 To the Era of Telemedicine !



Together with such Apps as Skype and FaceTime,  
Sharing live image with remote person can be possible !

