

NY1S-α5100 – Microscope Documentation Set



Installation

First, attach ④ and ①.
Next, install ④ to lens
mount and secure.



Eyepiece $\phi 23.2/30\text{mm}$



Remove eyepiece
and install ①.
Use ② for eyepiece
with $\phi 30\text{mm}$
diameter.

Nikon F phototube



Insert ① directly.
Secure with screw
which may be
attached to F-tube

C-Mount



Screw ③ into C-mount.
Attach ① and ②, and
insert it into ③. Secure
with screw at the side.

** Compatible with
Direct (1.0x) C -mount

JIS phototube



Attach NY-JIS (option)
to JIS phototube.
Insert ① into it
and secure with screw
at the side of NY-JIS..

Olympus PT phototube

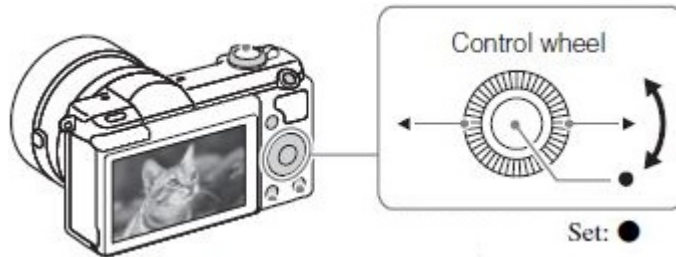


Attach NY-BH (option)
to PT phototube.
Insert ① into it
and secure with screw
at the side of NY-BH..

1. Settings

* Page number next to each line refer to pages in [Instruction Manual](#) and [Help Guide](#)

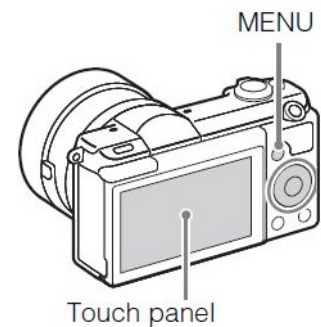
Settings described here are only standard examples for starter.
Please adjust details in accordance with your specific requirement
as you get more accustomed to the operation.



1-1 Turning on the camera and setting up the date/clock - [Instruction manual](#) - P20

1-2 Shoot mode - P (Program Auto) - [Help Guide](#) [33]

1. Press Menu Button
2. Select Camera Setting (Camera Icon)
3. Rotate control wheel to select P (Program Auto)
4. Press Set button.



1-3 ISO Sensitivity - [Help Guide](#) [92]

1. Press Menu Button
2. Select Camera Setting (Camera Icon)
3. Rotate control wheel to select ISO
4. Select desired setting.

1-4 Release w/o lens - [Help Guide](#) [129]

Important!!

1. Press Menu Button
2. Select Custom Setting
3. Rotate control wheel to select Release w/o Lens
4. Select Enable, so the shutter can be released when no lens is attached

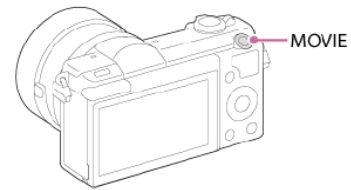
1-5 Power Save Start Time - [Help Guide](#) [163]

1. Press Menu Button
2. Select Setup
3. Rotate control wheel to select Pwr Save Start Time.
4. Select 30min for automatically switch to power save mode.

2. Shooting Movie

[Instruction Manual P.21 - Help Guide \[163\]](#)

5. Press the MOVIE button to start recording.
6. Press the MOVIE button again to stop recording.



Point

- Focusing and brightness would be adjusted automatically
- Press the shutter button half way to focus quickly during recording,.

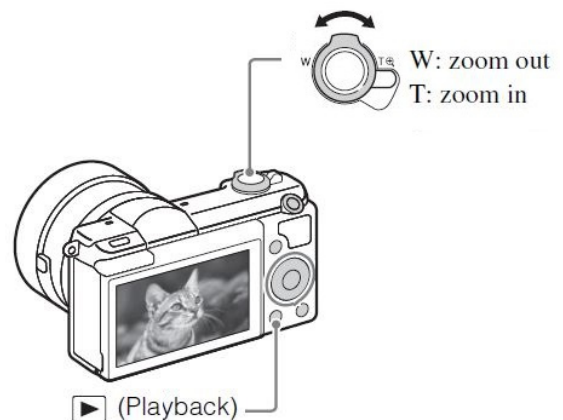
[Audio Recording off - Help Guide \[105\]](#)

1. Press Menu Button
2. Select Camera Setting
3. Rotate control wheel to select Audio Recording.
4. Select off for Audio recording off

3. Play Back Image

[Instruction Manual P.22 - Help Guide \[140\]](#)

1. Press the Playback button.
2. Select Image with control wheel



★ Playback Zoom - [Help Guide \[141\]](#)

3. Display the image and slide the W/T lever to the T side to zoom up.
If the image is too large, slide the W/T lever to the W side to adjust.
4. Select the portion you want to enlarge by pressing the top/bottom/right/left side of the control wheel.

[Playback image on HDTV - Help Guide \[154\]](#)

Connect HDMI terminal of camera and TV with HDMI cable

** HDMI cable is sold reparatory

